



IPDNews

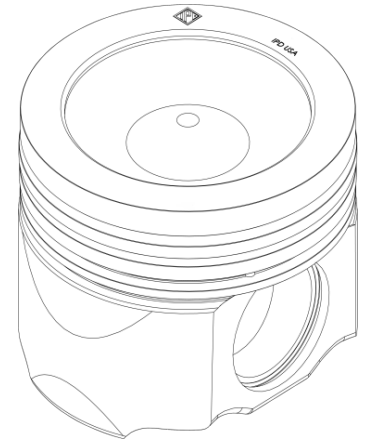
The Standard for Quality, Innovation, Service and Support Since 1955

New Overhaul Kits for C13

New IPD Overhaul and Cylinder Kits now available for C13, featuring IPD's two piece friction welded piston.

- Exclusive **IPDSteel®** piston design (patent pending)
- Engineered and heat treated for strength and hardness
- Special phosphate and graphite coatings for corrosion resistance and enhanced anti-friction properties
- Specifications based on OE designs

Details on these new kits are provided in the next section "New Product Announcements"



New Product Announcements

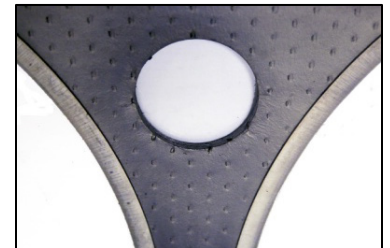
63 new part numbers are now available from IPD, featuring the following:

C13 Overhaul Kits & Cylinder Kit

- In-Frame & Out of Frame Overhaul Kits
- Kits feature IPD 2-piece Friction Welded Piston (patent pending)
- Kits available with OE style MLS (multi layer steel) or IPD style composite head gaskets



MLS Gasket



Composite Gasket

3300 Piston & Liner Assembly

- For select 330, 330B, & 330BL applications

3406/3408/3412 OE Style Gasket Sets

- 14 gasket sets for a variety of installations

3500 OE Style Gasket Sets

- Single Cylinder

[CLICK HERE for details](#)



PLG1568263 for 3300

IPD Kits for C7

IPD announced C7 kits in October. Applications were provided in two locations, now consolidated below. Shown here is IPD's new C7 Piston Kit (2382720).

Applications

Overhaul Kits: Truck applications w/ serial number: WAX, SAP, KAL

Piston Kits: Selected truck, industrial, and machine* applications
w/ serial number: WAX, SAP, KAL

*machines: 584, 12M, 140G, 140K, 140M, 160K, 325D, 329D,
535C, 545C, 584H, 950H, 962H, IT62H, M325D



[CLICK HERE for details](#)

Caterpillar®, Cummins®, Detroit Diesel®, Mack®, Volvo®, & Waukesha® are trademarks of their respective owners.

IPD ♦ 23231 Normandie Ave ♦ Torrance, CA 90501 USA ♦ 310.602.5399 ♦ 310.530.2708 Fax ♦ www.ipdparts.com